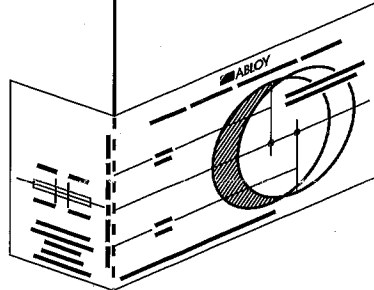


**A** INSTALLATION OF THE BOLT AND CYLINDERS / INSTALLATION DU PÊNE ET DES CYLINDRES

1



Use template included.  
Utiliser le gabarit fourni.

2

Standard Bolt  
Pêne standard

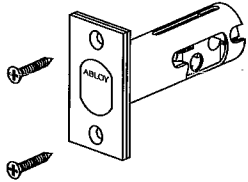


Drive-In Bolt  
Pêne encastré

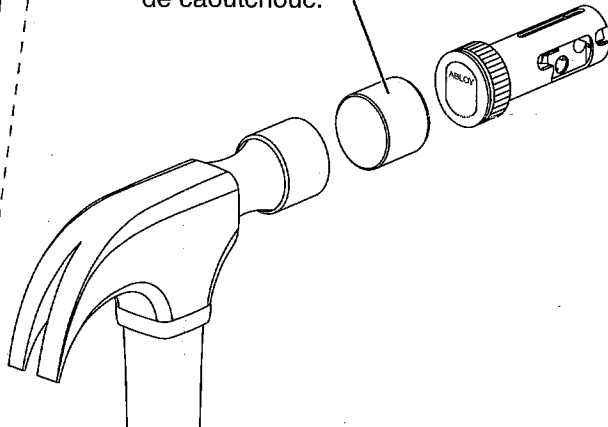


3

Standard Bolt  
Pêne standard



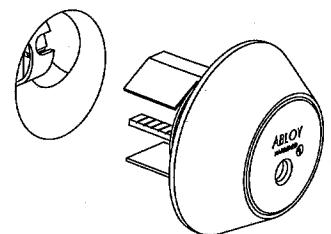
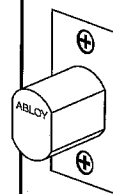
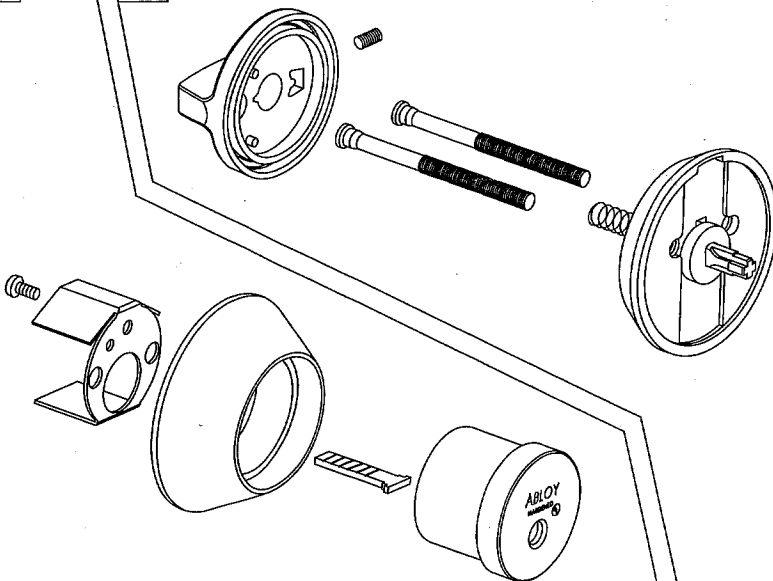
Piece of wood, plastic or rubber.  
Morceau de bois, de plastique ou  
de caoutchouc.



Drive-In Bolt  
Pêne encastré

4

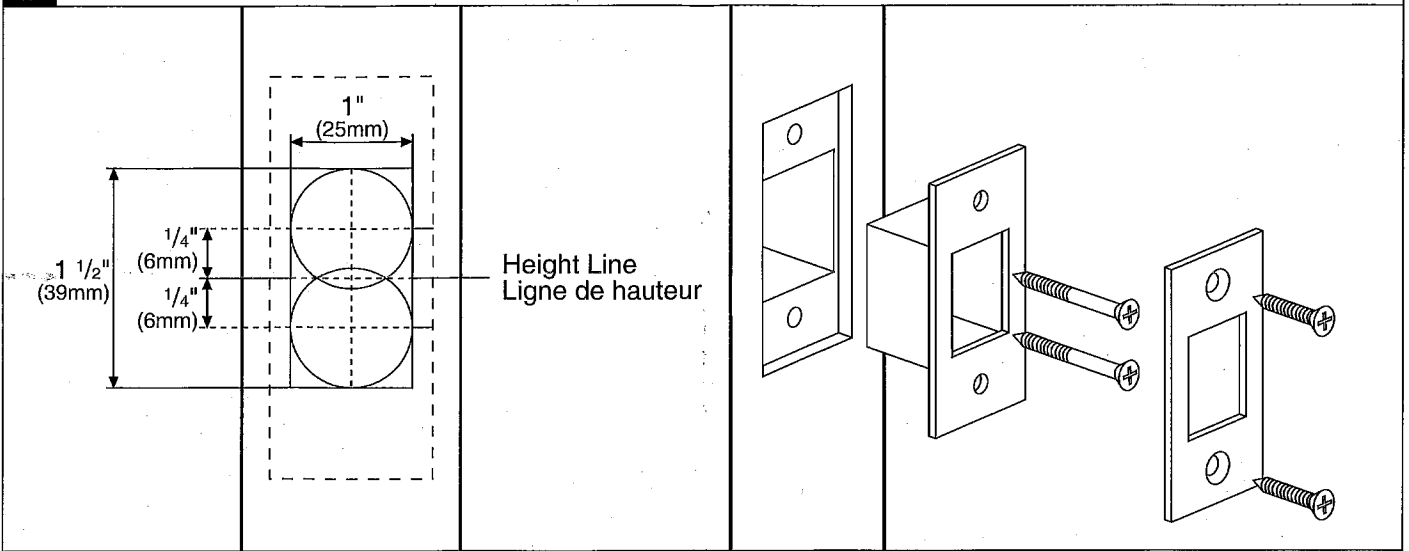
5



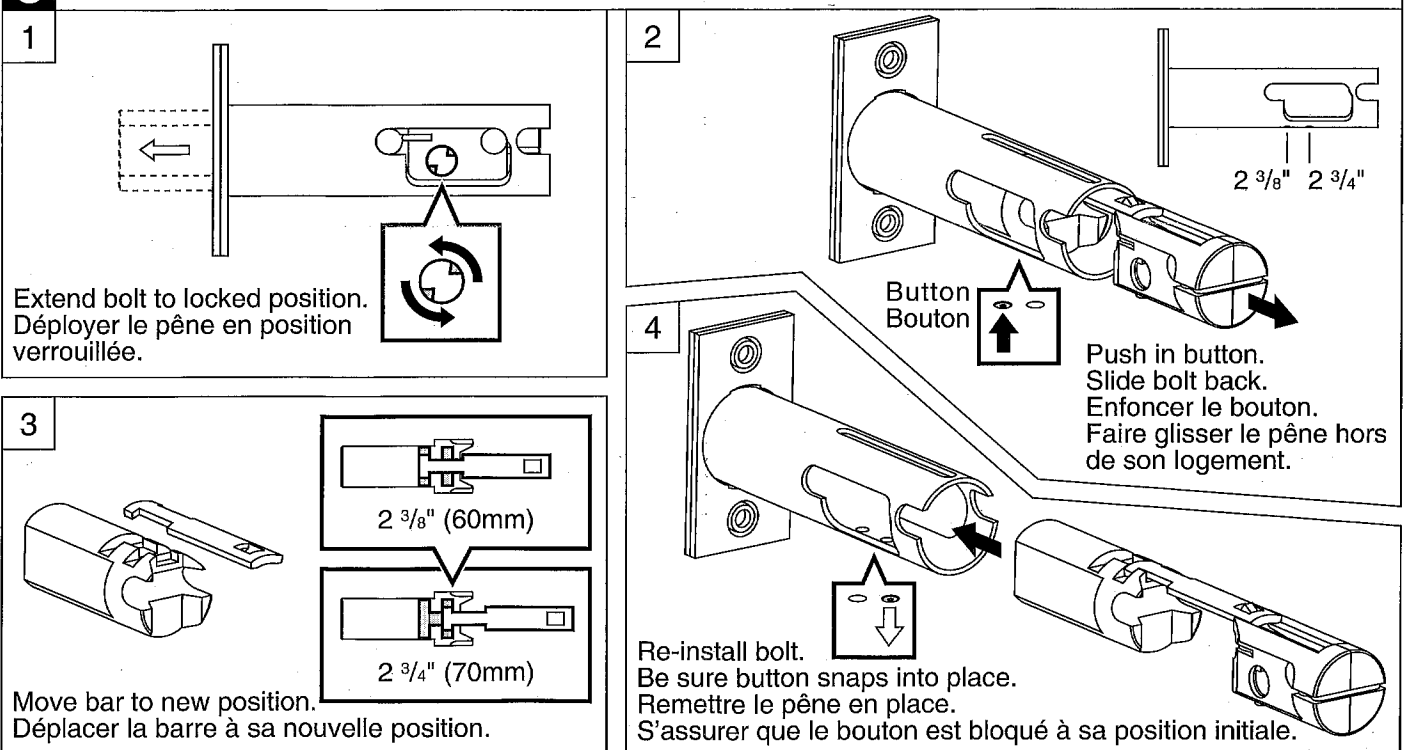
# ABLOY® ME153, ME154

TUBULAR DEADBOLT INSTALLATION INSTRUCTIONS  
 NOTICE D'INSTALLATION DU PÊNE DORMANT TUBULAIRE

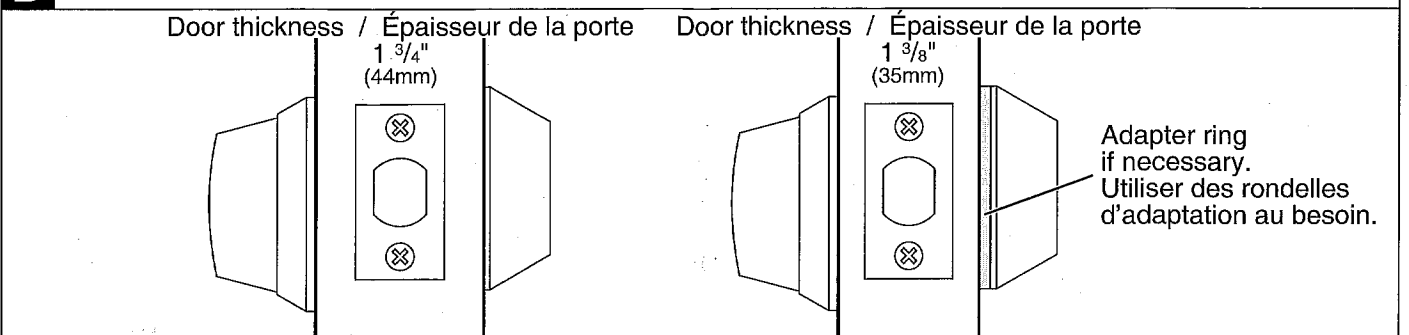
## B STRIKE INSTALLATION / INSTALLATION DE LA GÂCHE



## C CHANGING BACKSET OF THE BOLT / MODIFICATION DU RETRAIT DU PÊNE

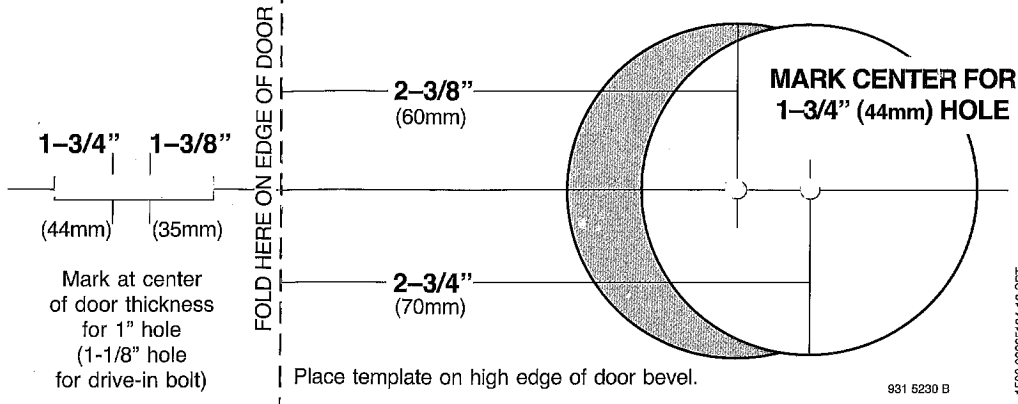


## D ADAPTER RINGS / RONDELLES D'ADAPTATION



**ABLOY®**

**TUBULAR DEADBOLT INSTALLATION TEMPLATE**



**1-3/4"**  
(44mm)

**1-3/8"**  
(35mm)

Mark at center  
of door thickness  
for 1" hole  
(1-1/8" hole  
for drive-in bolt)

FOLD HERE ON EDGE OF DOOR

**2-3/8"**  
(60mm)

**2-3/4"**  
(70mm)

**MARK CENTER FOR  
1-3/4" (44mm) HOLE**

Place template on high edge of door bevel.

931 5230 B

1500-09225134-12 SPT