

Armor Concepts has products for most style doors
For more products and information, contact Armor Concepts, LLC
 Call customer service at 1-888-582-2294 or visit www.armorconcepts.com

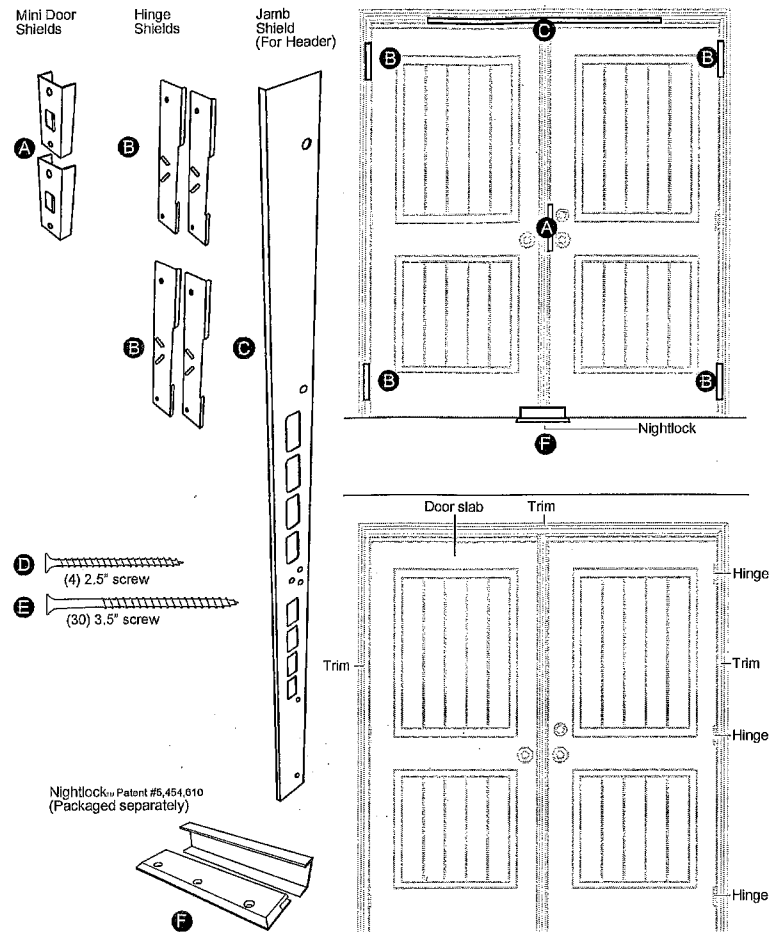


Fix it Once...Secure it Forever
Door Jamb Armor
The Ultimate Door Security and Repair Solution

Armor Concepts LLC • (888) 582-2294

EZ Armor Double Door Application

Note: If installing new locks Door Shields should be installed prior to final lock assembly to prevent having to back track.



Questions? Call customer service at 1-888-582-2294 or visit www.armorconcepts.com

SAFETY INFORMATION
WARNING

- The use of work gloves and safety glasses is strongly recommended while installing this product.
 - Wood and metal shaving/splinters can cause serious bodily injury.
 - As with all products requiring installation, to reduce the possibility of accidental injury to you or others
- FOLLOW ALL INSTALLATION INSTRUCTIONS contained herein accurately and carefully.

PREPARATION

Before beginning assembly of product, make sure all parts are present. Compare parts with package contents list and diagram above. If any part is missing or damaged, do not attempt to assemble the product. Contact customer service for replacement parts at 1-888-582-2294 or visit www.armorconcepts.com.

PAINTING INSTRUCTIONS

Note: It is recommended that Door Jamb Armor components be painted before being installed. They can be touched up as necessary after installation.

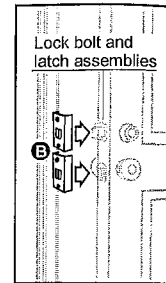
1. Using plain steel wool or a very fine emery cloth, gently rough the surface of the piece to be painted. You only want to rough the surface and break the gloss so that your paint will adhere to the surface. Do not totally remove the existing powder coating.
2. Clean the surface with a tack cloth or a cloth with a cleaner on it that will not leave a residue. Rubbing alcohol will work well for this application. You can also use mineral spirits but make sure that whatever you use does not cause an adverse reaction with the powder coating.
3. When components are clean and free of debris, you are ready to paint your pieces.
4. Ensure that all components are completely dry before handling or installing them.

Tools required for assembly

- Variable speed drill, with screwdriver adapter and bits
- Phillips screwdriver or drill bit
- 3/16 in, 9/64 in. and 11/64 in. drill bits
- Pair of safety glasses per person assisting in installation
- Pair of work gloves per person assisting in installation

Door Shield Installation

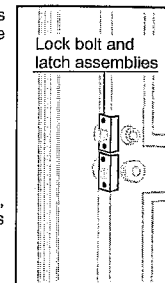
1. Slide the Door Shield **B** onto the door position so the holes will go over the lock bolts.



2. Using the supplied 2-1/2" screws **D**, secure the Door Shield to the door slab using the hole above and below screw lock bolt holes.



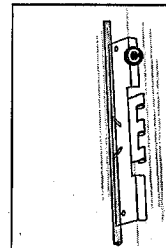
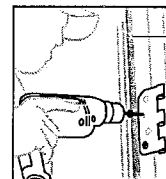
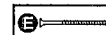
3. With the Door Shields in place, make sure the Door Shields are level and flush against the door slab on all sides.



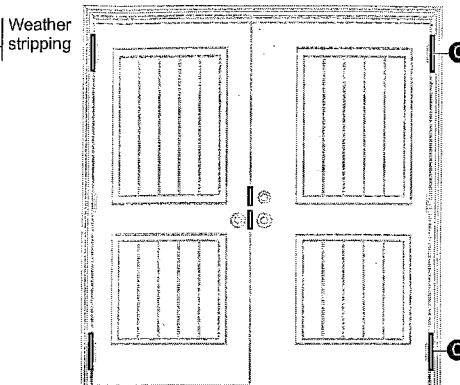
4. Verify that the locks can function properly without interference from the Door Shields. If there is interference, adjust the Door Shields until the locks operate freely. If there is no interference, the installation is complete.

Hinge Shield Installation

1. With the door open, remove the two screws from the upper hinge plate, closest to the weatherstripping. Pre-drill these holes with the 11/64-inch drill bit. Now drive a 3-1/2 inch screw **E** into each of these holes, ensuring the screw heads come to rest flush the hinge plate.



Weather stripping



2. Position the Hinge Shield around the upper hinge plate so that the longer leg will go between the door jamb and the door. The short leg will go on the inside edge of the jamb allowing the upper and lower portions of the leg to straddle the hinge.

On the inside of the door jamb, the longer leg of the Hinge Shield should fit securely against the door jamb and behind the weatherstripping. When placed properly, the edge of the longer leg should be hidden by the weatherstripping.

It may be necessary to slightly raise the edge of the trim molding to allow proper positioning.

NOTE: Above, door is removed for illustrative purposes only. Application of Hinge Shield should not require removal of door.

3. Hold the upper Hinge Shield **C** in position and pre-drill the holes for the Hinge Shield as laid out on the diagram with an 11/64 in. drill bit. Be sure to drill through the finished frame and at least 1 inch into the rough frame. The supplied securing screws are over 3 inches long so pre-drilling should be deep enough to accommodate this length.

4. Secure the door jamb with the Hinge Shield attached to the rough frame with the supplied 3-1/2 inch screws **E**. Drive screws until the heads seat flush against the door jamb.

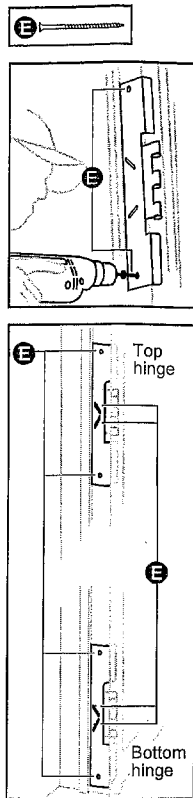
NOTE: Take care not to over tighten the screws as this may cause unwanted jamb displacement.

5. Check to verify the door and door jamb are still true. If the door is not true, take all necessary steps to correct this issue before proceeding.

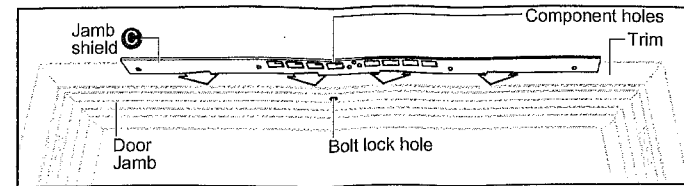
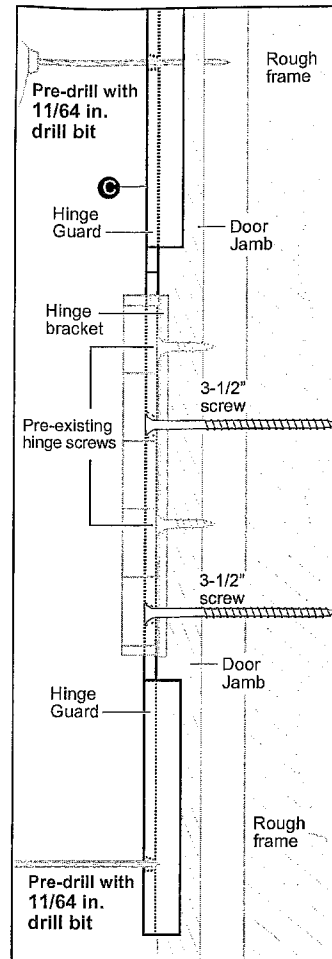
6. Once the door is true, secure the Hinge Shield as detailed in step 4.

7. Repeat steps 1-4 for the bottom hinge with the second Hinge Shield.

8. Once installation of Hinge Shields is complete, verify that the door is true and operates correctly.



NOTE: Above, the middle and lower hinge **E** screws are visible only for illustrative purposes. These will not be visible as they will be covered by the Hinge Shield.

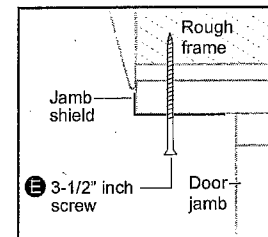
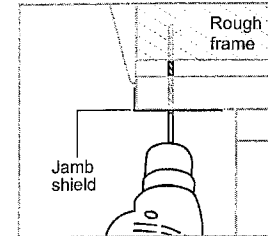
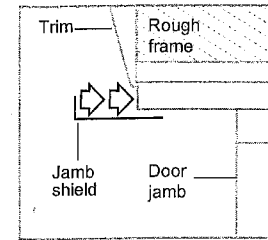


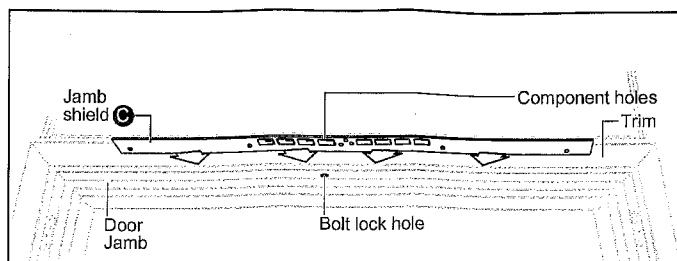
3. Locate the Jamb Shield **C** and (8) 3-1/2 inch screws **E**. Position the Jamb Shield on the horizontal jamb securely against the finished frame and behind the weather stripping. When positioning the Jamb Shield, care should be taken to ensure that one of the Jamb Shield holes lines up with the bolt lock hole in horizontal jamb.

4. With the Jamb Shield properly positioned, pre-drill the holes for the Jamb Shield with a 1-1/64th-inch drill bit. Be sure to drill through the finished frame and at least 1 inch into the rough frame. The pre-drilled holes should be deep enough to accommodate the supplied **E** 3-1/2 inch screws.

5. Check to verify the door and doorjamb are still aligned. If so, secure the doorjamb with the Jamb Shield attached to the rough frame with the supplied screws. Drive screws until the heads seat flush against the frame.

Go to "Finishing Installation."





Jamb Shield Installation with Transom

With this application the supplied screws may be too long. For this reason, it may be necessary to acquire the appropriate screws to ensure the head seats properly in the front side of the jamb shield, penetrates through the upper door jamb and at least halfway through the frame around the transom.

⚠ As always when drilling around glass, make sure the drilling and screw placement will not contact the casement of the glass enclosure.

Note: Typically a #10 Phillips flat head screw of appropriate length will work.

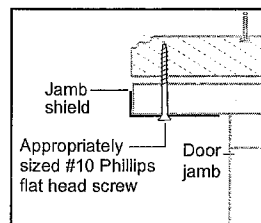
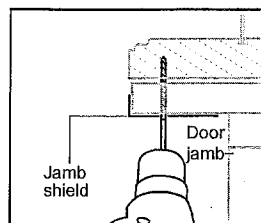
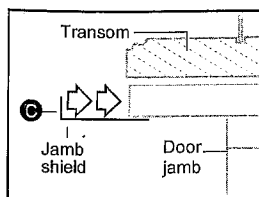
With this application of the Jamb Shield, the drilled holes should be sized appropriately for the selected screws.

1. Locate the Jamb Shield (C) and (8) appropriately-sized screws. Position the Jamb Shield on the horizontal jamb. When positioning the Jamb Shield, care should be taken to ensure that one of the component holes lines up with the bolt lock hole in horizontal jamb. Inside of the door jamb, the Jamb Shield should fit securely against the finished frame and behind the weather stripping. When placed properly the edge of the Jamb Shield should be hidden by the weather stripping and the corresponding bolt hole in the jamb should be visible.

2. With the Jamb Shield properly positioned, pre-drill the holes for the Jamb Shield with a 9/64th-inch drill bit. Be sure to drill through the upper door jamb and at least half way into the transom. Pre-drilling should be deep enough to accommodate the selected appropriate screw.

3. Check to verify the door and doorjamb are still aligned. If so, secure the doorjamb with the Jamb Shield attached to the transom with the selected appropriate screw. Drive screws until the heads seat flush against the frame.

⚠ As always, make sure the drilling and screw placement will not contact the casement of the glass enclosure.

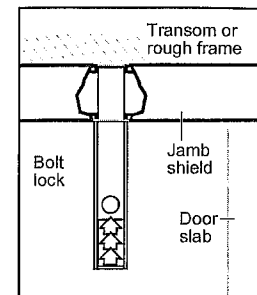


Finishing installation

1. If the door is not aligned properly take all necessary steps to correct the alignment before proceeding.

2. Once the door is aligned, secure the doorjamb. Close the stationary door and verify that the bolt aligns and operates properly. If it does not make the appropriate adjustments.

This completes the installation of the EZ Armor hardware.



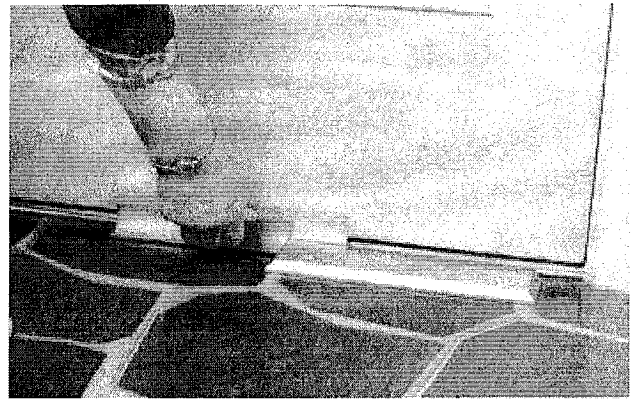
Proceed on to the installation of the Nightlock™ hardware, packaged separately.

NIGHTLOCK™ by **TAYLOR BROTHERS** **DOOR LOCK**

1400 E. Coldwater Rd.
Flint, Mi 48505
PH: 810-785-3454

See our Websites at:
www.nightlock.com
www.taylorbrothersdoorlock.com

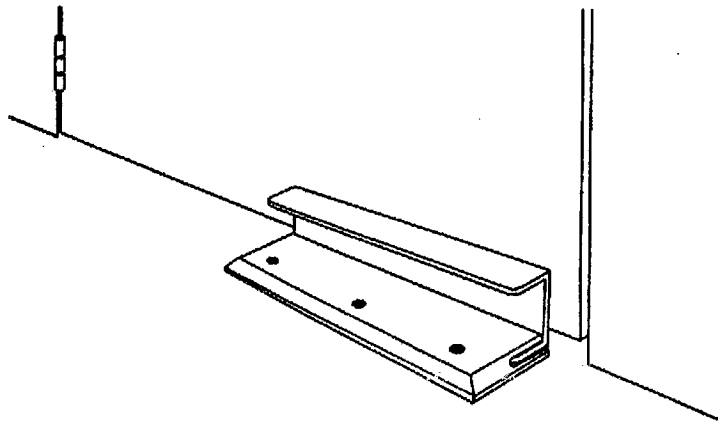
E-mail : taylorbrothers@sbcglobal.net



Easy to use by the whole family

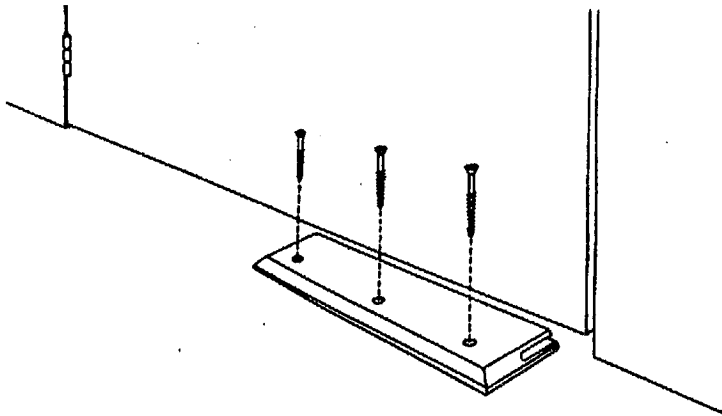
Patent # 5,454,610

INSTALLATION INSTRUCTIONS

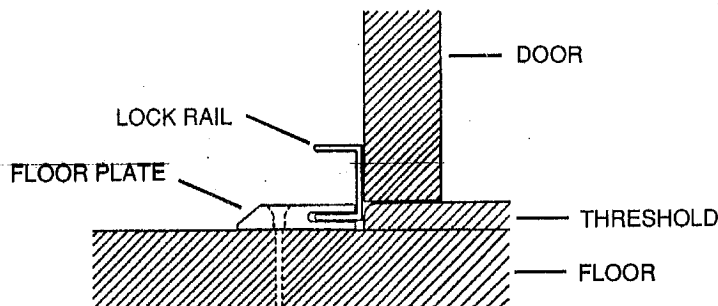


- Position the door lock near opening edge of door. The lock rail must slide easily.
- Use floor plate as a template to locate holes.
- For ease of installation, drill pilot holes of sufficient size.

- **If installing door lock on cement or tile floor,** drill holes (5/16" dia.) to fit plastic anchors, (included). Insert anchors into holes.



- Use screws (included) to fasten floor plate securely to the floor.
- Door should swing freely above floor plate. 1/2" clearance necessary between open door and floor.
- Insert lock rail to lock door. Remove lock rail to open door.
- Lock rail should slide easily.



NIGHTLOCK.

come complete with:

- FLOOR PLATE
- LOCK RAIL
- 3 MATCHING SCREWS
- 3 PLASTIC ANCHORS