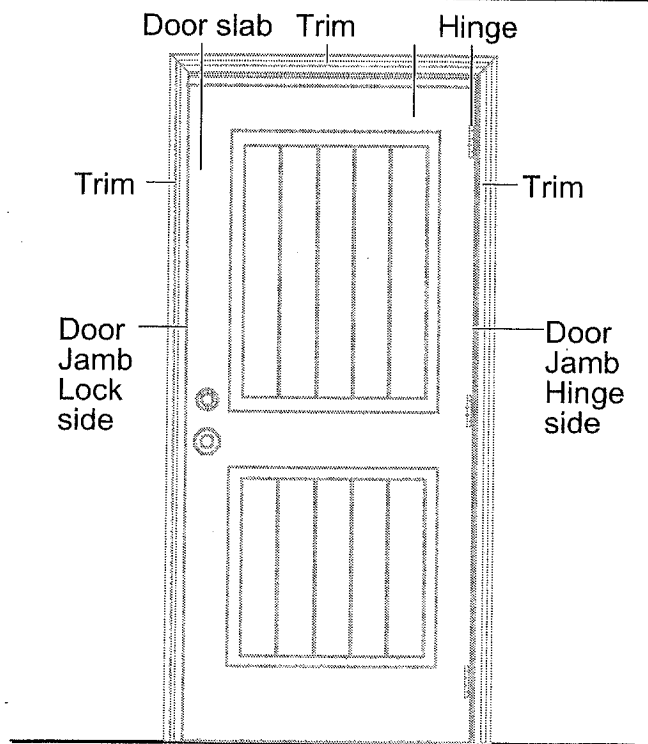
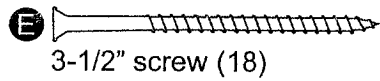
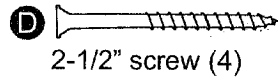
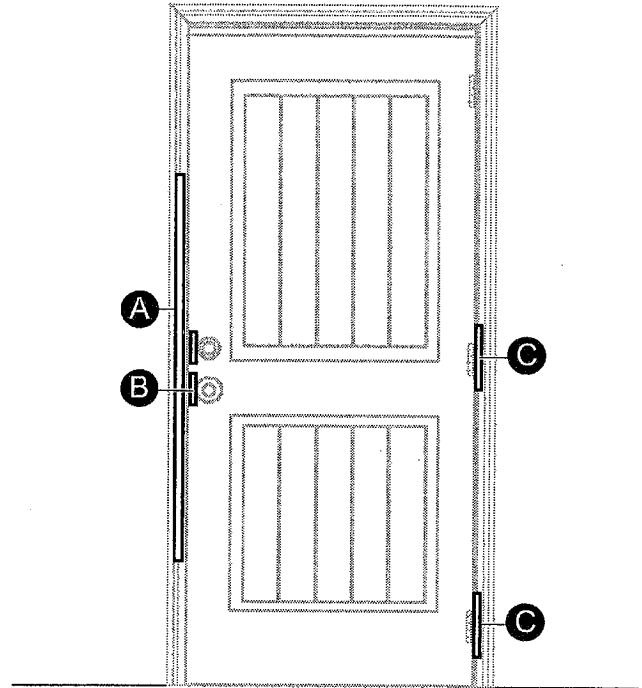
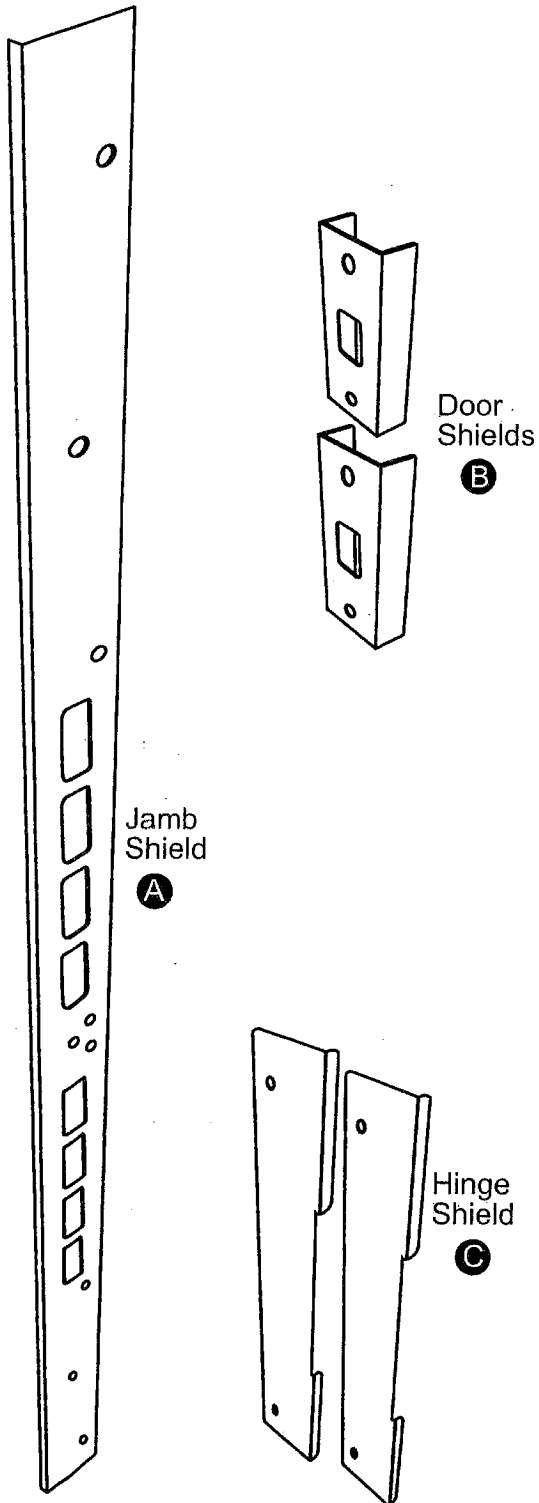


EZ Armor Application





SAFETY INFORMATION

WARNING

- The use of work gloves and safety glasses is strongly recommended while installing this product. Wood and metal shaving/splinters can cause serious bodily injury.
 - As with all products requiring installation, to reduce the possibility of accidental injury to you or others
- FOLLOW ALL INSTALLATION INSTRUCTIONS contained herein accurately and carefully.

PREPARATION

Before beginning assembly of product, make sure all parts are present. Compare parts with package contents list and diagram above. If any part is missing or damaged, do not attempt to assemble the product. Contact customer service for replacement parts at 1-888-582-2294 or visit www.armorconcepts.com.

PAINTING INSTRUCTIONS

Note: It is recommended that EZ Armor Guards be painted before being installed. They can be touched up as necessary after installation.

1. Using plain steel wool or a very fine emery cloth, gently rough the surface of the piece to be painted. You only want to rough the surface and break the gloss so that your paint will adhere to the surface. Do not totally remove the existing powder coating.
2. Clean the surface with a tack cloth or a cloth with a cleaner on it that will not leave a residue. Rubbing alcohol will work well for this application. You can also use mineral spirits but make sure that whatever you use does not cause an adverse reaction with the powder coating.
3. When Guards are clean and free of debris, you are ready to paint your pieces.
4. Ensure that all Guards are completely dry before handling or installing them.

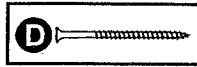
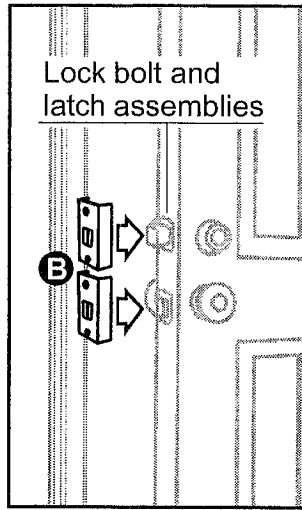
Tools required for assembly

- Variable speed drill, with screwdriver adapter and bits
- Small flashlight
- Pry bar
- Carpenter's level
- Claw foot hammer
- Soft face hammer
- Phillips screwdriver
- Flathead screwdriver
- Pair of work gloves per person assisting in installation
- Pair of safety glasses per person assisting in installation
- 11/64 in. drill bit
- Razor knife
- Caulk

Door Shield Installation

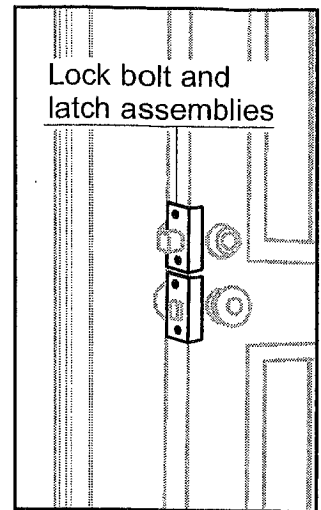
1. Slide the Door Shield **B** onto the door position so the holes will go over the lock bolts.

2. Using the supplied 2-1/2" screws **D**, secure the Door Shield to the door slab using the hole above and below screw lock bolt holes.



3. With the Door Shields in place, make sure the Door Shields are level and flush against the door slab on all sides.

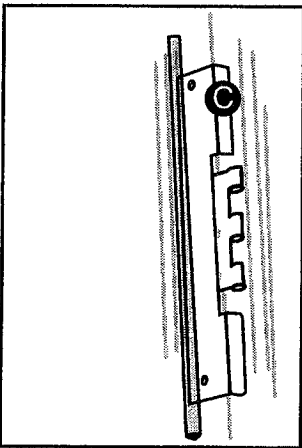
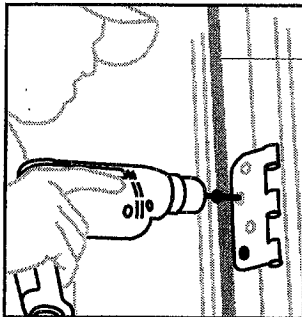
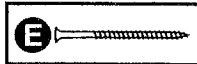
4. Verify that the locks can function properly without interference from the Door Shields. If there is interference, adjust the Door Shields until the locks operate freely. If there is no interference, the installation is complete.



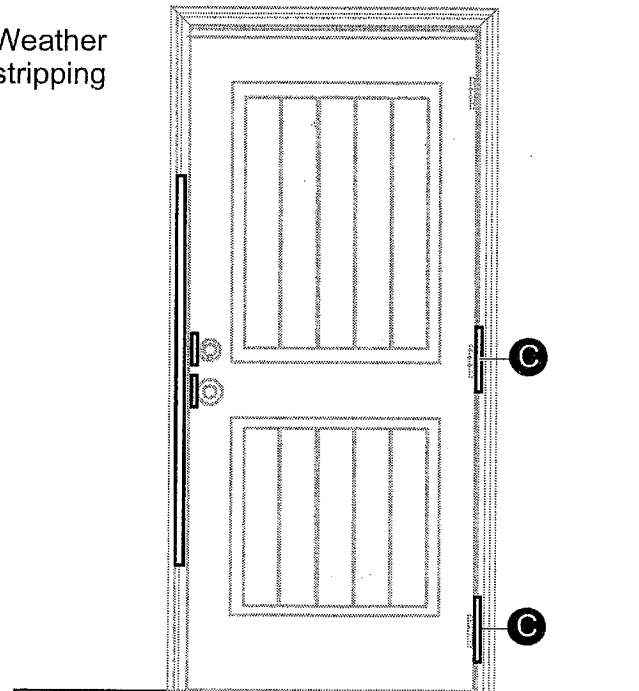
Hinge Shield Installation

1. With the door open, remove the two screws from the middle jamb side hinge plate, closest to the weatherstripping. Pre-drill these holes with the 11/64-inch drill bit. Now drive a 3-1/2 inch screw **E** into each of these holes, ensuring the screw heads come to rest flush the hinge plate.

2. Position the Hinge Shield around the middle hinge plate so that the longer leg will go between the door jamb and the door. The short leg will go on the inside edge of the jamb allowing the upper and lower portions of the leg to straddle the hinge.



Weather stripping

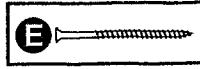


On the inside of the door jamb, the longer leg of the Hinge Shield should fit securely against the door jamb and behind the weather stripping. When placed properly, the edge of the longer leg should be hidden by the weather stripping.

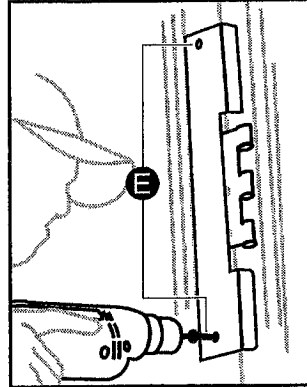
It may be necessary to slightly raise the edge of the trim molding to allow proper positioning.

NOTE: Above, door is removed for illustrative

3. Hold the middle Hinge Shield **C** in position and pre-drill the holes for the Hinge Shield as laid out on the diagram with an 11/64 in. drill bit. Be sure to drill through the finished frame and at least 1 inch into the rough frame. The supplied securing screws are over 3 inches long so pre-drilling should be deep enough to accommodate this length.

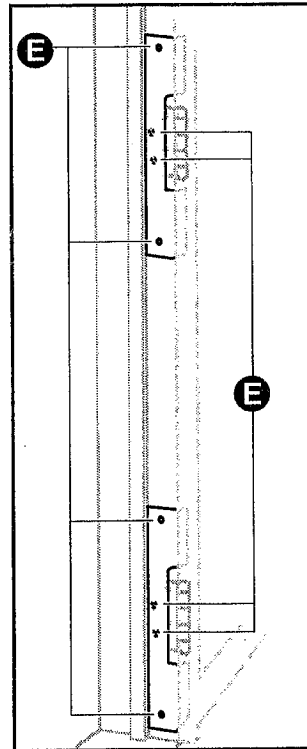


4. Secure the door jamb with the Hinge Shield attached to the rough frame with the supplied 3-1/2 inch screws **E**. Drive screws until the heads seat flush against the door jamb.



NOTE: Take care not to over tighten the screws as this may cause unwanted jamb displacement.

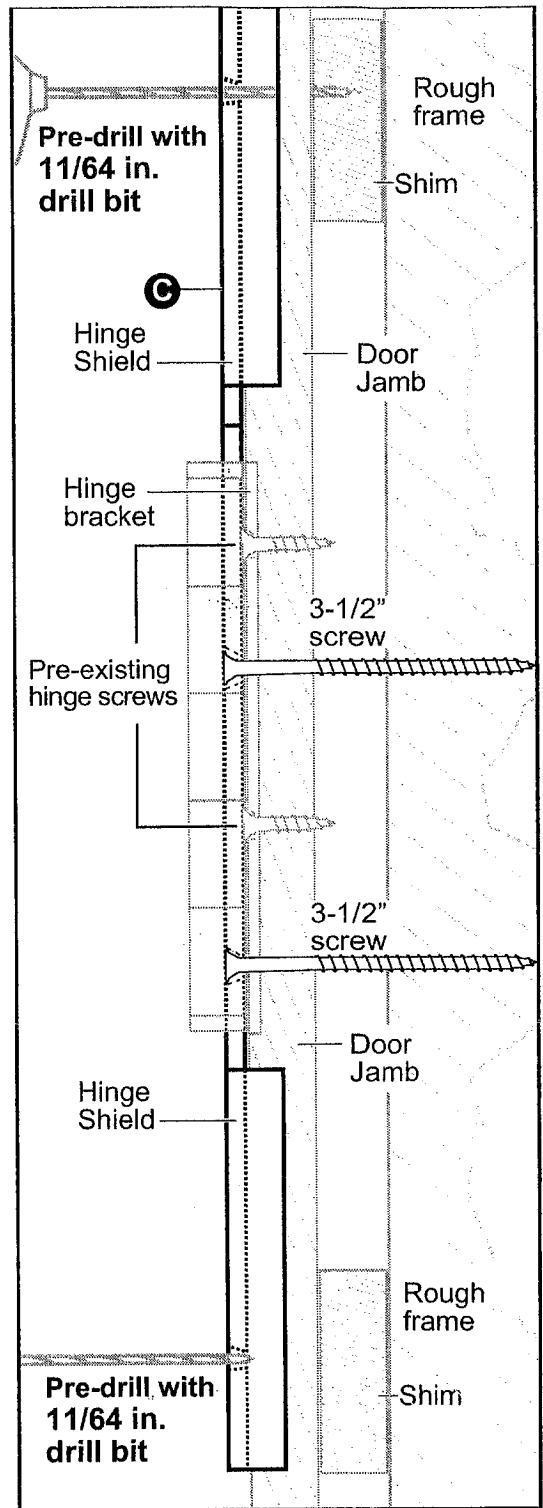
5. Check to verify the door and door jamb are still true. If the door is not true, take all necessary steps to correct this issue before proceeding.



6. Once the door is true, secure the Hinge Shield as detailed in step 4.

7. Repeat steps 1-4 for the bottom hinge with the second Hinge Shield.

8. Once installation of Hinge Shields is complete, verify that the door is true and operates correctly.



NOTE: Above, the middle and lower hinge **E** screws are visible only for illustrative purposes. These will not be visible as they will be covered by the Hinge Shield.

Jamb Shield Installation

NOTE: Door is removed for illustrative purposes only. Application of Jamb Shield should not require removal of door.

1. Position the Jamb Shield taking care to ensure that the holes line up with the lock bolt holes in the door jamb. The long leg of the of the Jamb Shield should fit securely against the finished frame and behind the weather stripping.

When placed properly, the edge of the long leg should be hidden by the weather stripping.

The short leg should rest flush against the inside edge of the jamb.

It may be necessary to slightly raise the edge of the trim molding to allow proper positioning.

2. While ensuring that the Jamb Shield remains properly positioned, with an 11/64 in. drill bit, pre-drill the holes for the Jamb Shield as laid out in the diagram. Be sure to drill through the finished frame and at least 1 inch into the rough frame. The supplied securing screws are more than 3 inches long so pre-drilling should be deep enough to accommodate this length.

3. Check to verify the door and door jamb are still true. If the door is not true, take all necessary steps to correct this issue before proceeding.

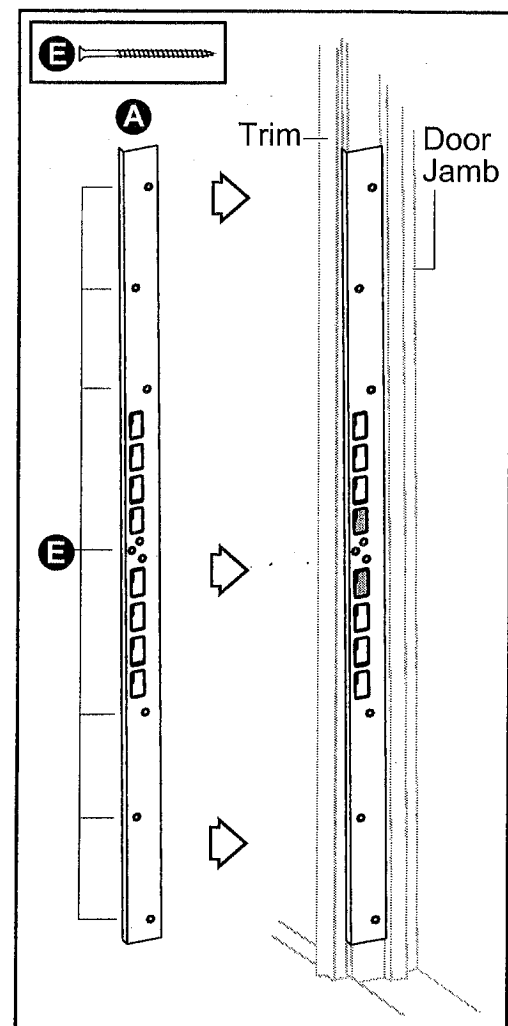
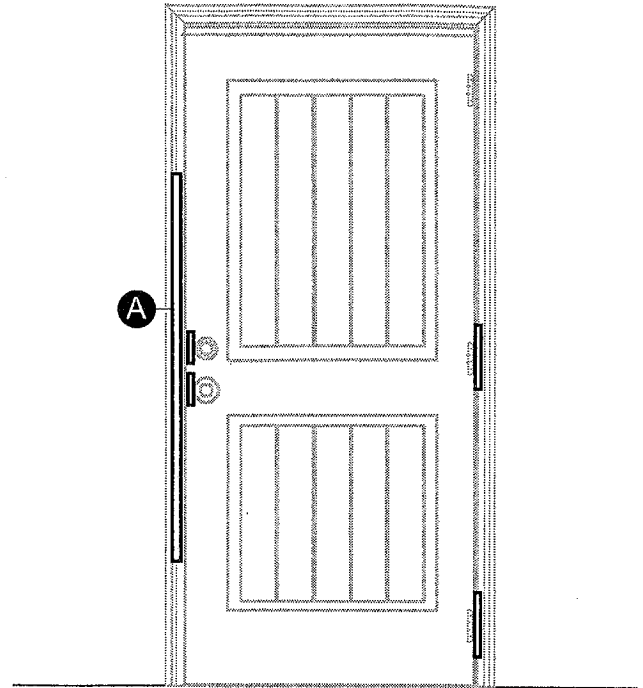
4. Secure the door jamb with the Jamb Shield attached to the rough frame with the supplied 3-1/2 inch screws **E**. Drive screws until the heads seat flush against the door jamb.

NOTE: Take care not to over tighten the screws as this may cause unwanted jamb displacement.

5. Check to verify the door and door jamb are still true. If the door is not true, take all necessary steps to correct this issue before proceeding.

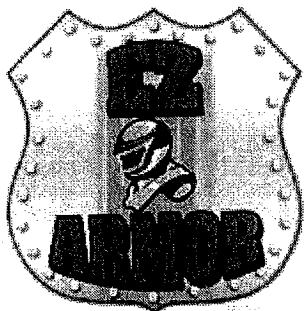
6. Once the door is true, secure the door jamb as detailed in **step 4**.

7. Once installation is complete, verify that the locks can function properly without interference from the Jamb Shield. If there is interference, adjust the Jamb Shield until the locks operate freely, then tap down any raised trim moulding. The EZ Armor installation is now complete.



**Armor Concepts has products for most style doors
For more products and information, contact Armor Concepts, LLC**

Call customer service at 1-888-582-2294 or visit www.armorconcepts.com



Total Door Security

EZ Armor

The Easy Door Security and Repair Solution